

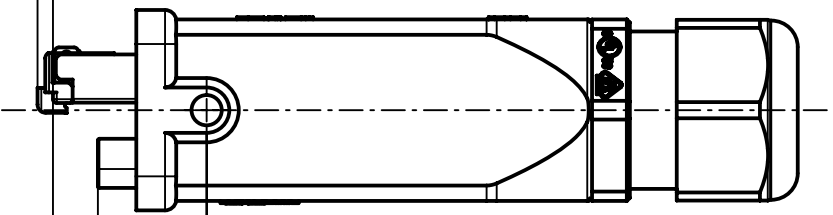
A

B

C

D

2,35 Max



14,95 Max

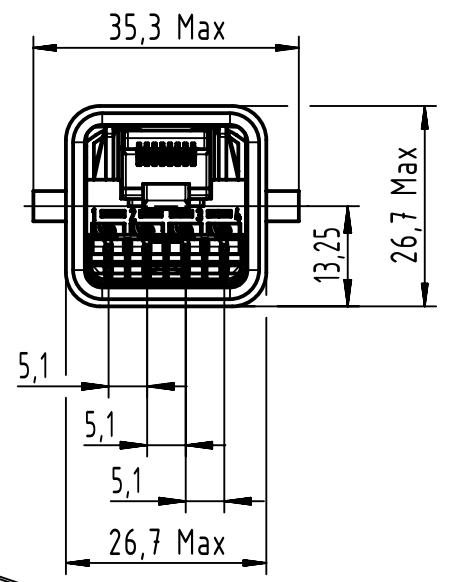
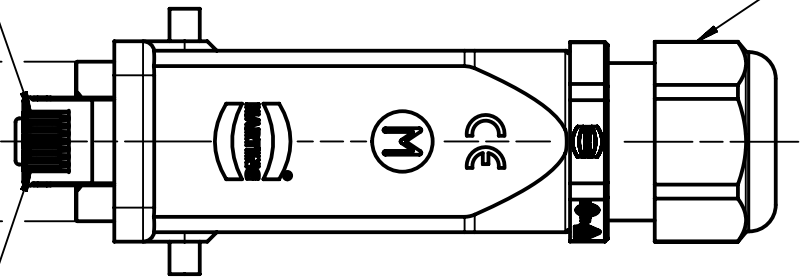
21,3 Max

M20x1,5 sealing gland

Contact no. 8

21,15 Max

Contact no. 1



35,3 Max

13,25

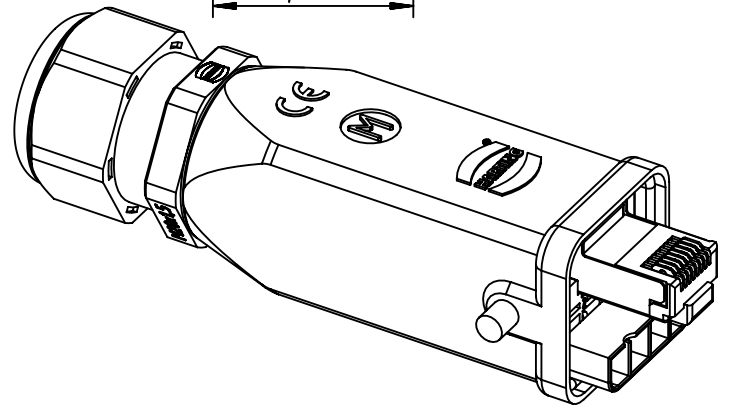
26,7 Max

5,1

5,1

5,1

26,7 Max



- For stranded conductors AWG 28 up to AWG 24
- Max. wire diameter 1,05mm
- Cable diameter 6-12mm
- Degree of protection IP65/IP67
- Cat. 6A, performance class EA
- Suitable for 1/10 Gigabit Ethernet
- Temperature range -40°C up to +70°C
- 750 mating cycles
- Data contact plating:
Au 1,27 µm (50 µin) over Nickel

	All rights reserved Department EL PD	All Dimensions in mm Original Size DIN A4		Scale 1:1	Free size tol.	Ref. Sub.	
		Created by SERBANA	Inspected by PREOTU	Standardisation RUETERA	Date 2022-08-01	State Final Release	
HARTING D-32339 Espelkamp		Title Han3A RJ45 Hybrid GL Cat6A plug 8+4p pl.				Doc-Key / ECM-Nr. 100514538/UGD/001/D 500000222051	
		Type TB	Number 09451251720			Rev. D	Page 1/1